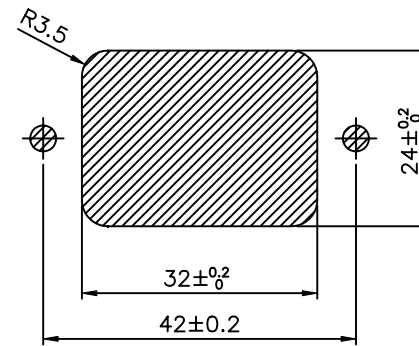
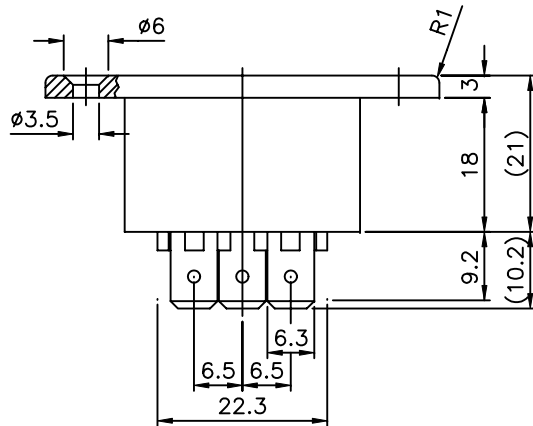
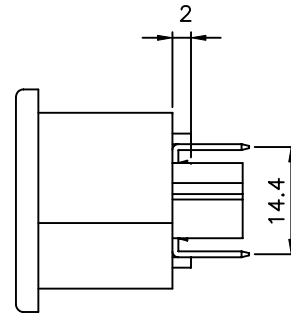
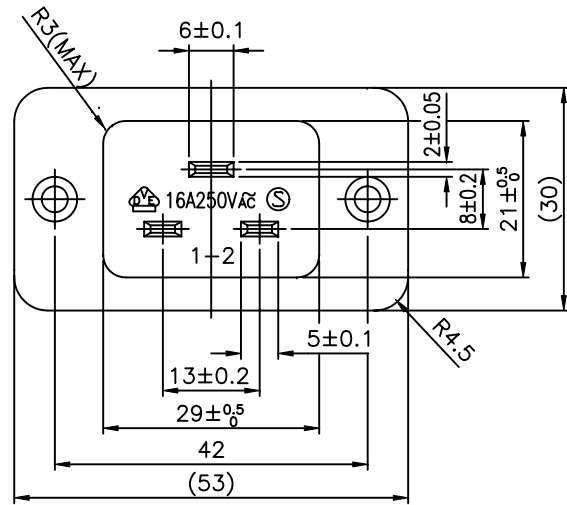


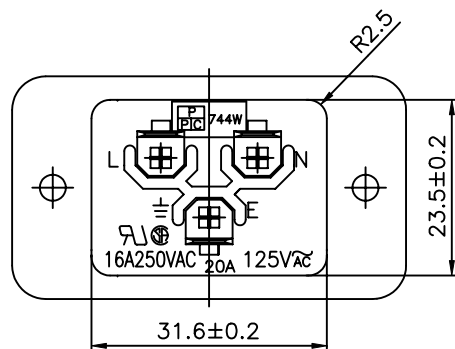
		Revision	
Rev.	Description	Date	Approved



PANEL CUTOUT

20A 250V/16A 250V AC
UL, CSA,

16A 250V AC
VDE



Dim range (mm)	+/- (mm)	Qualtek Electronics Corp. PPC DIVISION		
		Part Number: 744W-00/04		
0-1	0.15	Description: SCREW MOUNT C20 INLET		
1-6	0.20			
6-18	0.30	Drawn/Date		
18-50	0.50			
50-120	0.70	Checked/Date		Approved/Date
120-250	0.90	B.ZHANG 02-26-03		JJH/02-26-03
250-500	1.20			